

DESCRIPTION

1-4 Lamps | T8HO or T12HO | 8'-40' Combined Lamp Length | Parallel Wiring

STARTING METHOD	INPUT VOLTAGE	LAMP CONNECTION	INPUT FREQUENCY
Instant Start	120-277VAC ±10%	Parallel	60/50 Hz

PRODUCT FEATURES

- Sound Rated: A
- Minimum Starting Temperature: -20°F, -30°C
- Maximum Case Temperature: 194°F, 90°C
- Meets FCC Part 18 (Class A) Non-Consumer Limits
- UL, cUL 935 Listed, Class P, Type 2 Outdoor, Type HL

ELECTRICAL SPECIFICATIONS FOR COMMON CONFIGURATIONS

Lamp Type	No. of Lamps	Input Volts	Input Watts	Input Current	Power Factor	Crest Factor
F120T12/HO	4, 3, 2, 1	120V	352W	3.00A	>0.98	<1.70
		277V	349W	1.30A	>0.95	<1.70
F96T8/HO*	4, 3, 2, 1	120V	330W	2.80A	>0.98	<1.70
		277V	325W	1.25A	>0.95	<1.70

*Primary Lamp Type

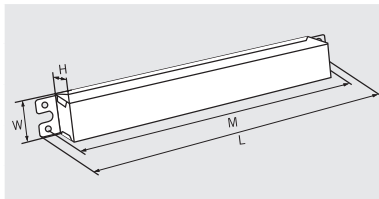
Consult factory for additional sign configurations.

LAMP FOOTAGE

Lamp Type	Minimum	Maximum
T12HO	10'	40'
T8HO	8'	32'

MECHANICAL SPECIFICATIONS

CASE DIMENSIONS



LENGTH	14.45"
WIDTH	3.23"
HEIGHT	2.20"
MOUNTING	13.75"
CASE STYLE	L16

STANDARD LEAD LENGTHS*

WHITE	24"
BLACK	24"
RED	132"
BLUE	132"

*Consult Keystone for special lead length requirements.

Lead wires are 18 AWG
105°C/600V, solid copper.

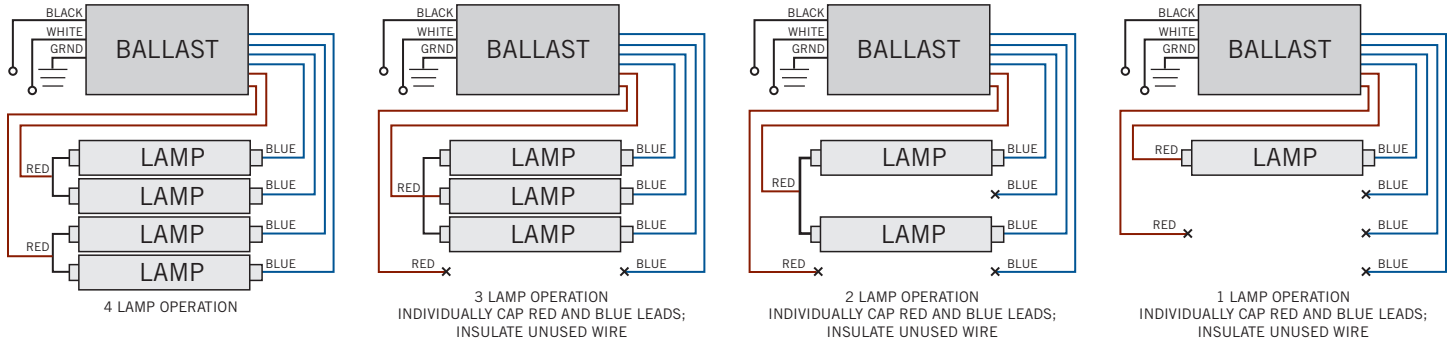
CASE MATERIAL: Metal

FOR INSTALLATION PURPOSES

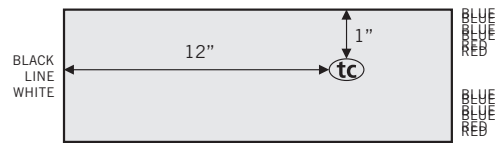
Electronic sign ballast for 4, 3, 2, and 1 T12HO lamps, 10' long.

Electronic sign ballast for 4, 3, 2, and 1 T8HO, 8' long.

WIRING DIAGRAM



HOT SPOT LOCATION



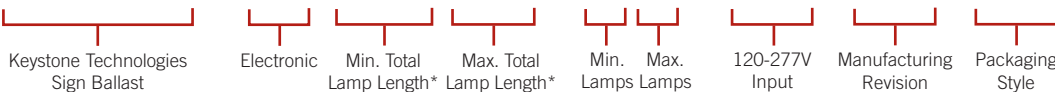
Actual tc point is noted on each ballast label.

ORDERING INFORMATION

ORDER CODE	PACKAGING STYLE	PACK QTY.	ITEM STATUS
KTSB-E-1040-14-UV /A-IP	Individually Packaged	1	Quick Ship

CATALOG NUMBER BREAKDOWN

KTSB-E-1040-14-UV /A-IP



*Minimum and maximum total lamp length based on T12HO lamps.